

QWCA-159-S WR-159 to SMA

Features:
* Low VSWR

Applications:
* Wireless
* Transmitter
* Laboratory Test
* Radar

Electrical

Frequency: 4.64~7.05GHz
VSWR: 1.2 max.@3.94~5.2GHz
1.05 max.@5.2~5.99GHz

Mechanical

Coax Connectors: SMA
Waveguide Size: WR-159
Flange: FDP58/FDM58
Material: Aluminium

How To Order

QWCA-159-X-Y-Z

X : Connector type.

Y : Configuration type.

Z : Flange type if applicable.

Connector naming rules:

S - S Male (Outline A, Outline B, Outline C)

SF - S Female (Outline A, Outline B, Outline C)

Configuration naming rules:

E - End launch (Outline A)

R - Right angle (Outline B, Outline C)

Flange naming rules:

1 - FBP

2 - FDP (Outline A, Outline B)

3 - FBM

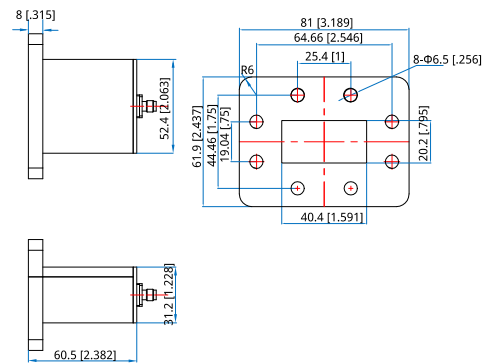
4 - FDM (Outline C)

Examples:

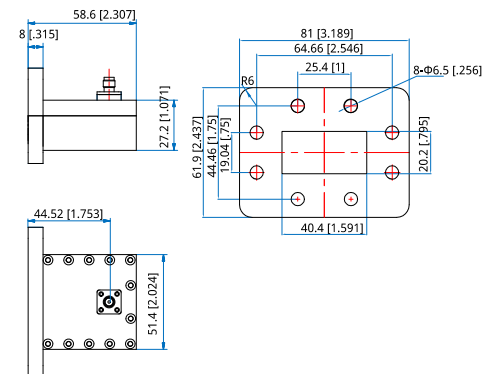
To order a waveguide to coax adapter, WR-159 to SMA female, right angle, FDP, specify QWCA-159-SF-R-2.

Customization is available upon request.

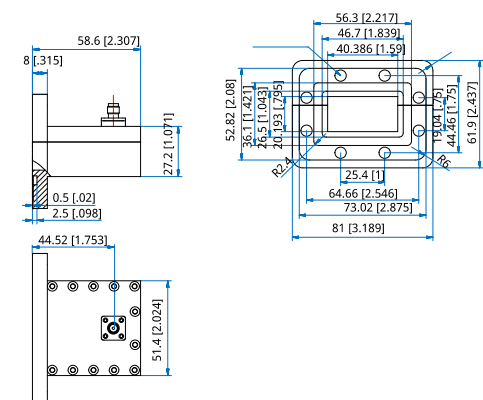
Outline Drawings



Outline A



Outline B



Outline C

Unit: mm [in]

Tolerance: ±0.2mm [±0.008in]